



Missler
SOFTWARE

The Integrated CAD/CAM/ERP Solution

www.topsolid.com

The company Time designs and manufactures its Tour de France racing bikes with TopSolid. A superior CAD/CAM system is needed to make such top of the range competition bikes. TopSolid is the ideal software solution to accompany all your ambitious design and manufacturing projects.



MISSLER SOFTWARE

AT A GLANCE

THE COMPANY

Missler Software is a leading global supplier of CAD, CAM and ERP solutions. The company has been in operation for more than 20 years and is classified as one of the leading CAD/CAM developers worldwide. Missler Software offers a uniquely integrated solution for the mechanical industry (general mechanical design, special machinery, tool and die, subcontracting industries...) with its product lines TopSolid and GOelan.

MISSLER SOFTWARE'S MISSION

Missler Software offers a fully integrated solution for the design, production and management activities in your company. The strength of this integrated solution lays in the single information system which covers all design to manufacturing processes. TopSolid reduces data entry, increases efficiency and fully exploits the technical, commercial and financial data available within the company.

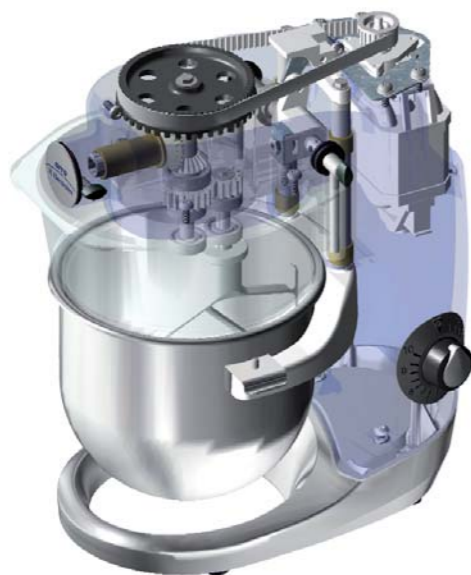
IN EXCESS OF 25000 LICENSES SOLD IN THE WORLD

Missler Software's CAD/CAM/ERP line of products is used by manufacturers, sub-contractors and educational institutions throughout the world. The company works with a network of resellers outside of France and sells directly via its agencies within France.

Today the company's product range is sold throughout the world and more than 1000 dedicated TopSolid personnel are at your service.

FACTS & FIGURES

- Foundation: 1983
- Development centres: Evry, Grenoble, Lyon, Toulouse in France
- Sales Network: Certified resellers and sales agencies
- Turnover 2006: € 25 Million
- Staff: 220
- Products:
 - Integrated CAD/CAM/ERP : TopSolid
 - CAM : GOelan
- Licenses: 25000 worldwide
- Customer references: Alcatel, Areva, Alsthom, DCN, Husqvarna, Legrand, Mecachrome, Panasonic, PSA, Sanyo, Shiseido, Thales, ...



DITO ELECTROLUX

A food mixer completely designed using TopSolid'Design by the company Dito Electrolux.

IWC

Company IWC manufactures luxury watches with TopSolid'Cam.



GRAEF

A new and innovative bread-cutting machine designed with TopSolid by Graef. This design won the company the renowned international design contest "Red Dot Design".

ONE SOLUTION: INTEGRATED CAD/CAM/ERP

THE DIGITAL PROCESS CHAIN

A CAD/CAM/ERP developer needs to offer added-value to its customers. The great strength of Missler Software is its ability to offer superior CAD and CAM solutions which are completely integrated. In addition, Missler Software offers an integrated PDM and ERP solution, thereby creating a digital process chain for companies. This means that all product development stages are fully linked – design, manufacturing and management – directly from the initial 3D draft.

Missler Software offers a completely unique solution in the market:

- Complete integration from design right through to manufacturing while managing all activities throughout this process:
CAD + CAM + ERP
- Industry specific solutions – The TopSolid line of products offers individual solutions to meet the particular requirements of specific industries: TopSolid'Design & TopSolid'Cam for mechanical engineering, TopSolid'Mold for mold making, TopSolid'Wood for wood working, TopSolid'PunchCut for sheetmetal ...
- The creation of a the digital process chain from design to manufacturing

MISSLER SOFTWARE'S CUSTOMERS

Missler Software's customers work in many different domains such as mechanical engineering, aerospace, jewellery making, tool making, wood working, ship building, sheet metal, etc. all over the world in Africa, Asia, Australasia, the Americas and Europe

In order to be competitive in the market a company needs to design, manage and manufacture its products more and more quickly. Missler Software offers high technology solutions which permit important productivity gains for its customers: The TopSolid fully integrated CAD/CAM/ERP solution is an essential tool for manufacturers and sub-contractors to become more competitive in today's global marketplace.

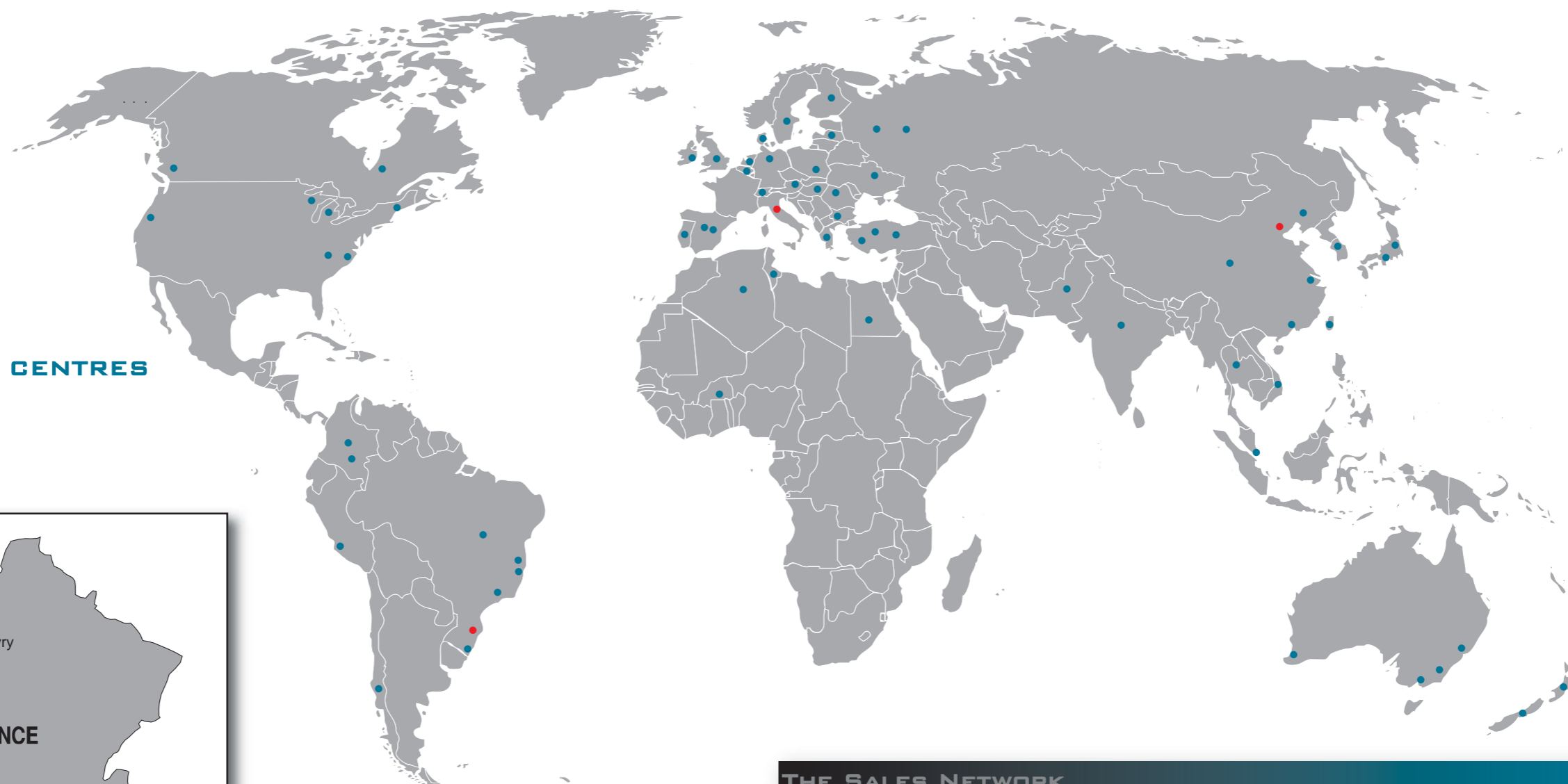
Missler Software has traditionally targeted mainly small to medium sized companies. Increasingly the company is also working with large worldwide groups looking for industry-specific solutions and integrated CAD/CAM software for their sites all over the world.

Major industrial users include:

- Alcatel Alenia Space
- Foxconn
- Koenig & Bauer
- Liebherr
- Safran
- Schneider Electric
- Staubli
- TRUMPF

MISSLER SOFTWARE

AN INTERNATIONAL COMPANY



DEVELOPMENT CENTRES

Evry
Grenoble
Lyon
Toulouse



INTERNATIONAL

Missler Software works with a network of constantly evolving certified resellers.

THE SALES NETWORK

Missler Software works with a network of 75 resellers around the world. Being close to its customers is a key point in the company's strategy. The company has 3 international plants: Missler Software Brazil, Missler Software China and Missler Software Italy.

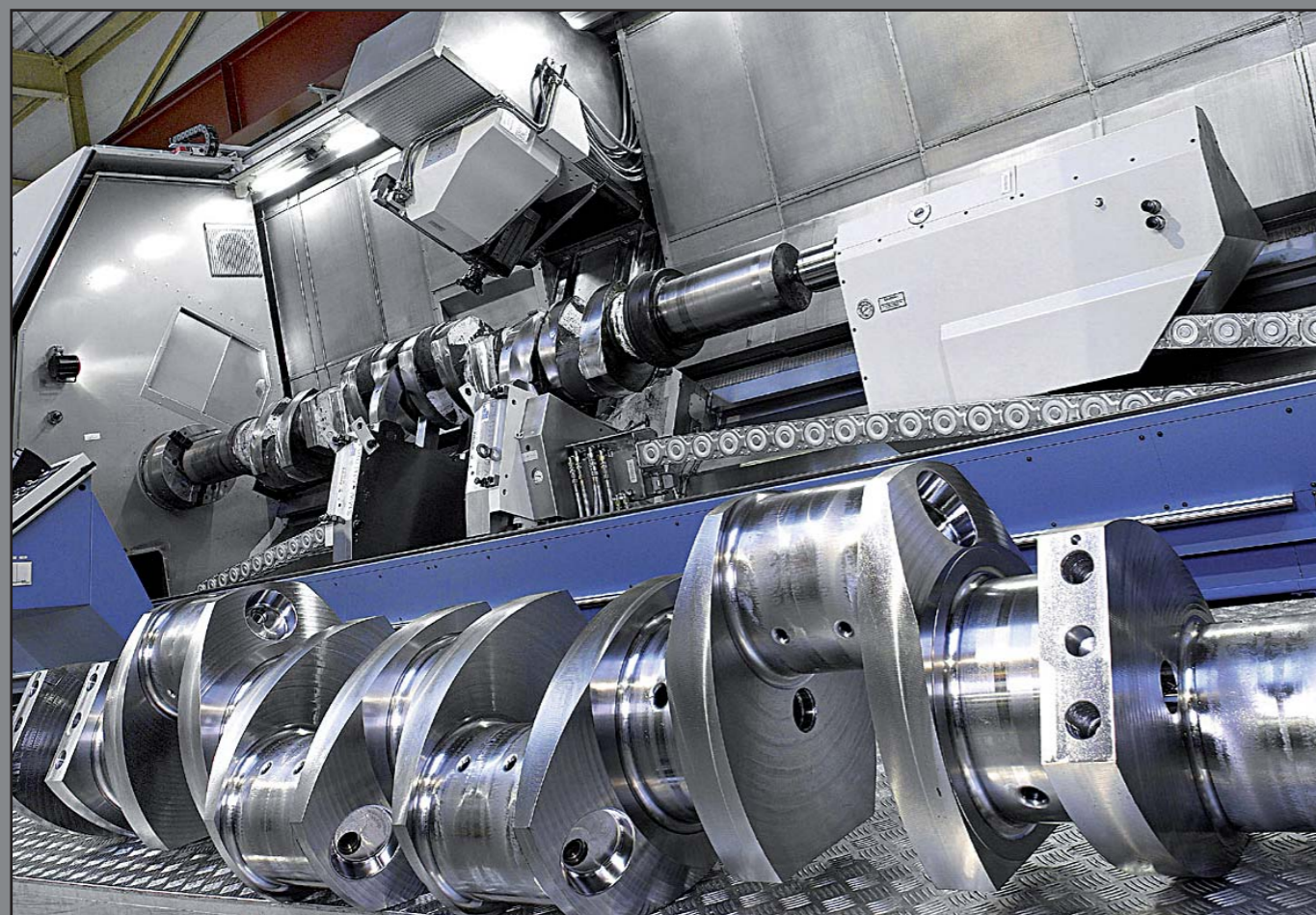
In France, the software developer sells directly to end users from its 5 sales agencies: Evry, Lyon, Nancy, Rennes and Toulouse.

The company's products are entirely developed in France in its 4 development centres.



Missler Software has a rich CAD/CAM/ERP product range.

TopSolid'Cam and its high-quality postprocessors machine the most complex of parts.



MISSLER SOFTWARE'S PRODUCT RANGE

TOPSOLID

TopSolid is an integrated CAD/CAM/ERP solution for the design and manufacture of products in diverse domains of activity: machines, plastic parts, tools, sheet metal, general mechanical engineering, wood working, etc. TopSolid is a single-source software solution that can be used to effectively meet all design, production and company-specific manufacturing control requirements.

- Mechanical Engineering
TopSolid'Design, TopSolid'Cam
- Product Design
TopSolid'Design, TopSolid'Draft
- Machining
TopSolid'Cam, TopSolid'Wire, TopSolid'PunchCut
- Tool making
TopSolid'Mold, TopSolid'Progress, TopSolid'Electrode
- Sheet metal
TopSolid'Fold, TopSolid'PunchCut
- Wood working
TopSolid'Wood, TopSolid'WoodCam
- Management
TopSolid'Pdm
- ERP
TopSolid'Erp

TopSolid'Erp is a fully integrated ERP system which responds to all supply chain requirements from commercial to production management. TopSolid'Erp offers a complete solution for the following areas: Commercial administration, management of technical data, shop floor management, client support and PDM (Product Data Management) TopSolid'Erp is fully integrated with the TopSolid CAD/CAM range of products, thus allowing full integration between all company departments.

GOELAN

GOelan is a CAD/CAM software for the design and machining of mechanical parts in milling, turning and wire electroerosion. It is an easy-to-use software which enables programming of numerically controlled machines. GOelan enables the ISO code to be quickly created for the efficient and speedy manufacturing of parts.



Missler Software Headquarters located South of Paris.

Missler Software exhibits at leading trade fairs all over the world.



MISSLER SOFTWARE

THE COMPANY

OVERVIEW

Missler Software is made up of 220 staff in France, 75 resellers around the world and 3 plants in China, Italy and Brazil. All product development is carried out in France (by one third of Missler Software's workforce).

Missler Software creates a new version of its software solutions each year in order to provide its customers with the most up-to-date technology possible. The company values its customers feedback and opinions; in fact most new functions and improvements to the software are based on client and certified reseller requests.

Missler Software offers the following services to its customers

- Training – Missler Software and its certified resellers look after the complete training of its customers as well as the follow-up of software installations.
- Specific developments – Missler Software Services develops customised applications based on customer specifications. This service offers TopSolid customers the possibility to obtain tailored solutions specifically adapted to their needs and which automate time-consuming tasks.
- High performance post-processors - Thanks to its abundant know-how in machining, Missler Software provides sophisticated post-processors to drive all types of machines. Missler Software works closely with machine tool manufacturers to provide working solutions to meet the needs of customers dealing with complex machine tools.

PARTNERSHIPS

Missler Software develops its software solutions, for many years now, in close collaboration with partners in such areas as simulation, geometric modelling, components, interface development, etc. Such partnerships allow the company to focus on what it does best, the edition of CAD/CAM/ERP solutions, while specialist partners provide their know-how to complete these solutions. For further information on Missler Software's partners visit www.topsolid.com/partners.

EDUCATION

Missler Software strives to provide the best technology possible to educational institutions. The company works closely with wood working, mechanical engineering, mold making and sheet metal schools. The central TopSolid core, common to all the TopSolid industry specific solutions, offers interesting investment possibilities to institutions who can choose one solution for the different technical branches of their schools.

